

# **BXVG**

## **Technical Guide**

# **BXVG13**

## Tip and Material Grade Availability

Tip (Code)	G1	G2	G5
One-hole Torpedo Tip	×	×	×
Open Tip (X 13 OV)	✓	×	×

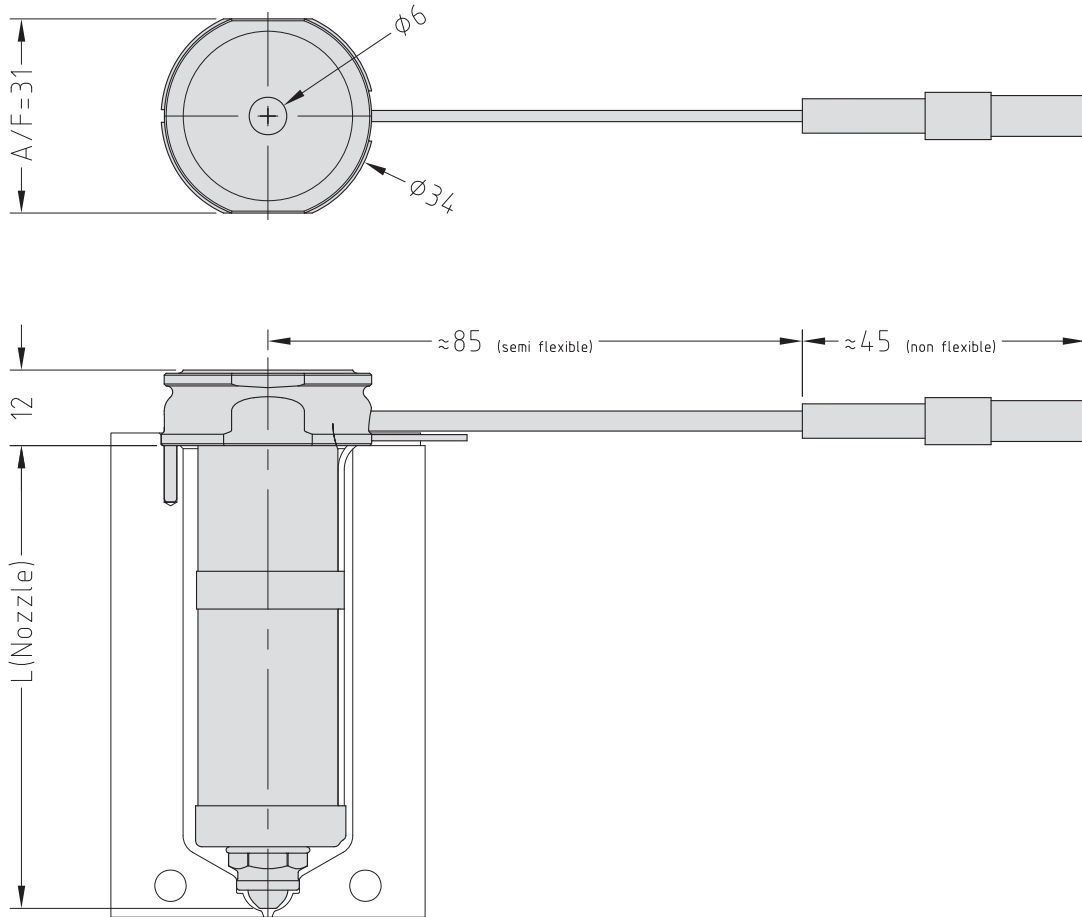
**To order a nozzle assembly:**

provide the Nozzle Code + Grade  
(Order example: BXOV13145 G1)

**To order a tip:**

provide the Tip Code + Grade  
(Order example: X 13 OV G1)

## Nozzle Dimensions

**Note**

\* Pins are supplied  $\phi 2.0 \times 250$  and must be cut to required length and taper added by mould maker at time of installation.

## Order Codes and Expansion

Open Tip Nozzle Code	L	E@ΔT =200°C	E@ΔT =250°C
BXOV13045	45	0.12	0.15
BXOV13055	55	0.15	0.18
BXOV13065	65	0.17	0.21
BXOV13075	75	0.20	0.25
BXOV13095	95	0.25	0.31
BXOV13115	115	0.30	0.38
BXOV13145	145	0.38	0.48

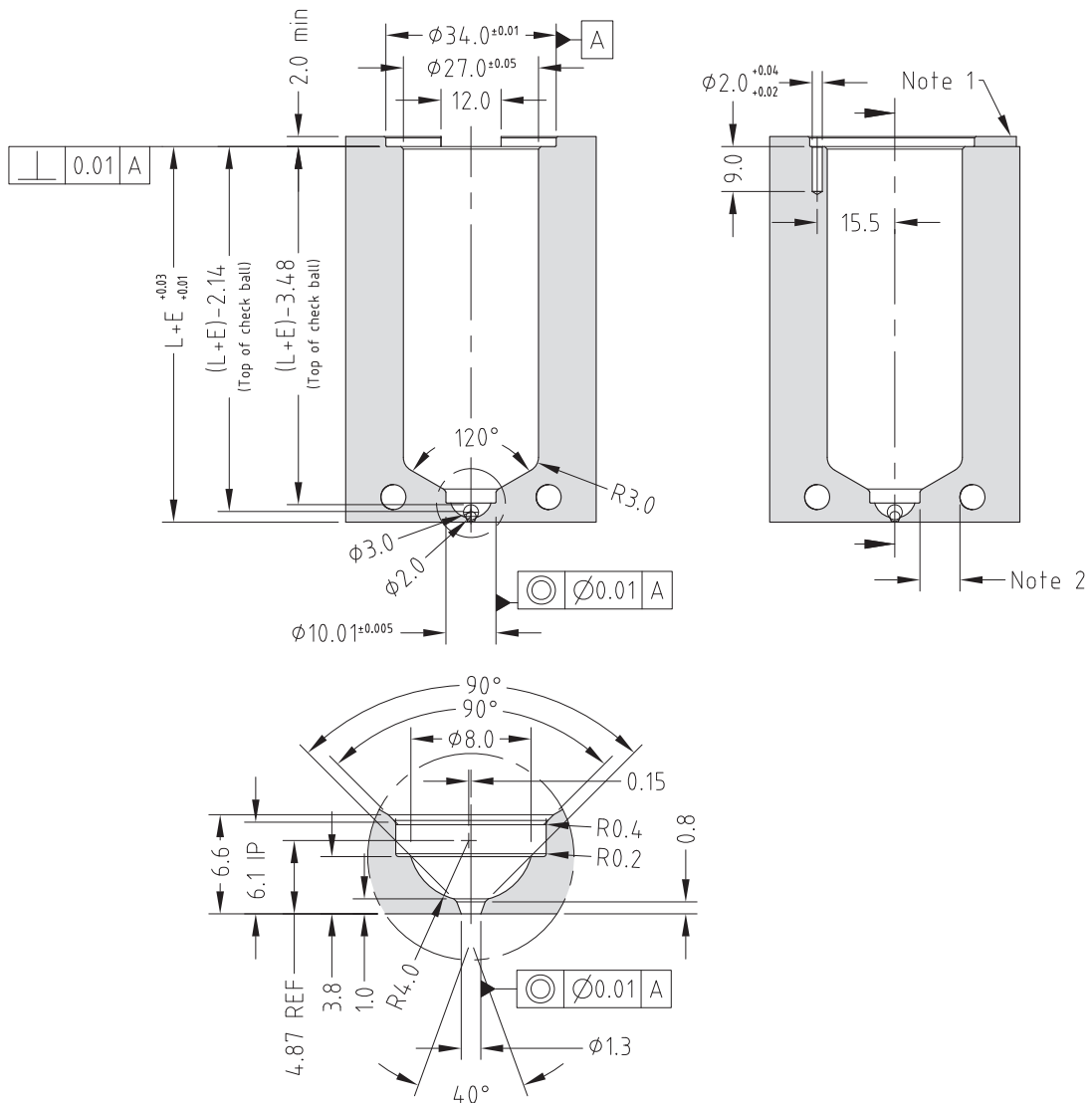
## Valve Gate Assembly

Order Code	Actuation Type	Pin Size	Stroke
MVG40 – 2.0 x 250	Pneumatic	2.0	10

One Valve Gate assembly is required per nozzle

## Nozzle Fitment and Gate Dimensions

$$E = L \times 0.000132 \times (\text{nozzle temp. } ^\circ\text{C} - \text{mould temp. } ^\circ\text{C})$$



## Note

- Wire channel to suit mould.
  - Gate cooling is critical for correct operation and gate quality. → See Cooling section in Technical Specifications.
- \* Minimum strength ( $\sigma_y$ ) of nozzle plate 800MPa.

# **BXVG16**

## Tip and Material Grade Availability

Tip (Code)	G1	G2	G5
Multi-hole Torpedo Tip (X 16 TV)	✓	×	×
One-hole Torpedo Tip	×	×	×
Open Tip (X 16 OV)	✓	×	×

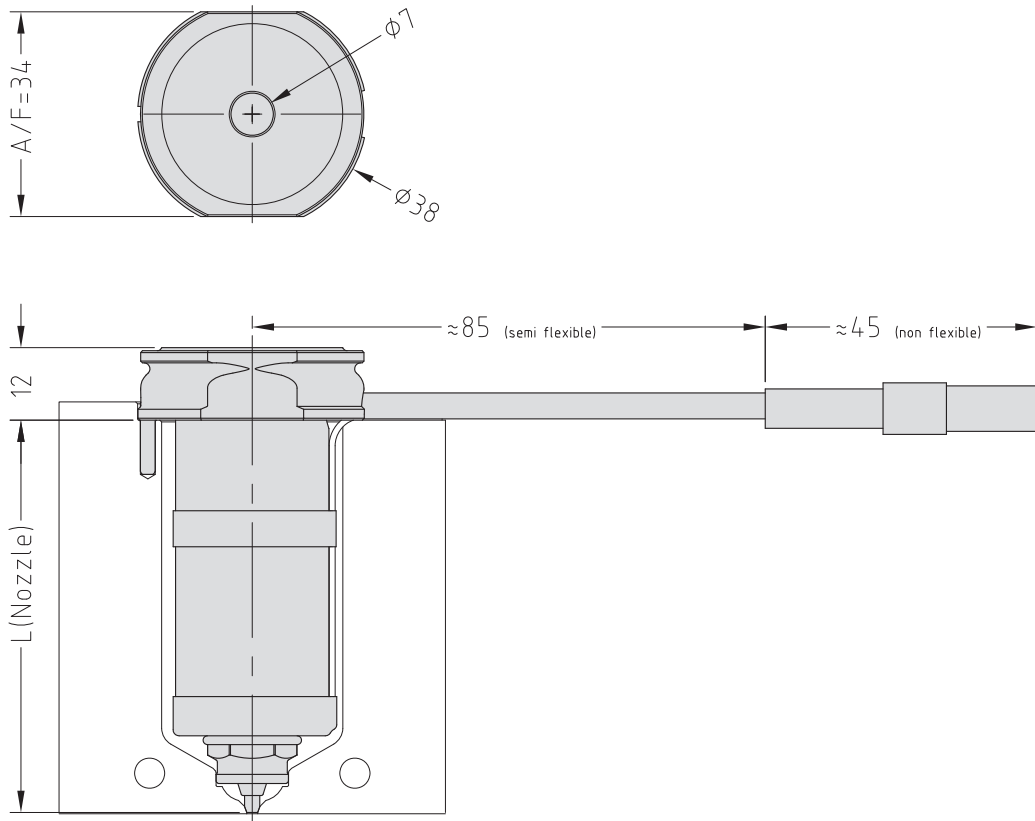
**To order a nozzle assembly:**

Provide the Nozzle Code + Grade  
(Order example: BXTV16175 G1)

**To order a tip:**

Provide the Tip Code + Grade  
(Order example: X 16 TV G1)

## Nozzle Dimensions

**Note**

\* Pins are supplied  $\varnothing 2.5 \times 250$  and must be cut to required length and taper added by mould maker at time of installation

## Order Code &amp; Expansion

Multi-hole Torpedo Tip Nozzle Code	Open Tip Nozzle Code	L	$E @ \Delta T = 200^{\circ}\text{C}$	$E @ \Delta T = 250^{\circ}\text{C}$
BXTV16045	BXOV16045	45	0.12	0.15
BXTV16055	BXOV16055	55	0.15	0.18
BXTV16065	BXOV16065	65	0.17	0.21
BXTV16075	BXOV16075	75	0.20	0.25
BXTV16095	BXOV16095	95	0.25	0.31
BXTV16115	BXOV16115	115	0.30	0.38
BXTV16145	BXOV16145	145	0.38	0.48

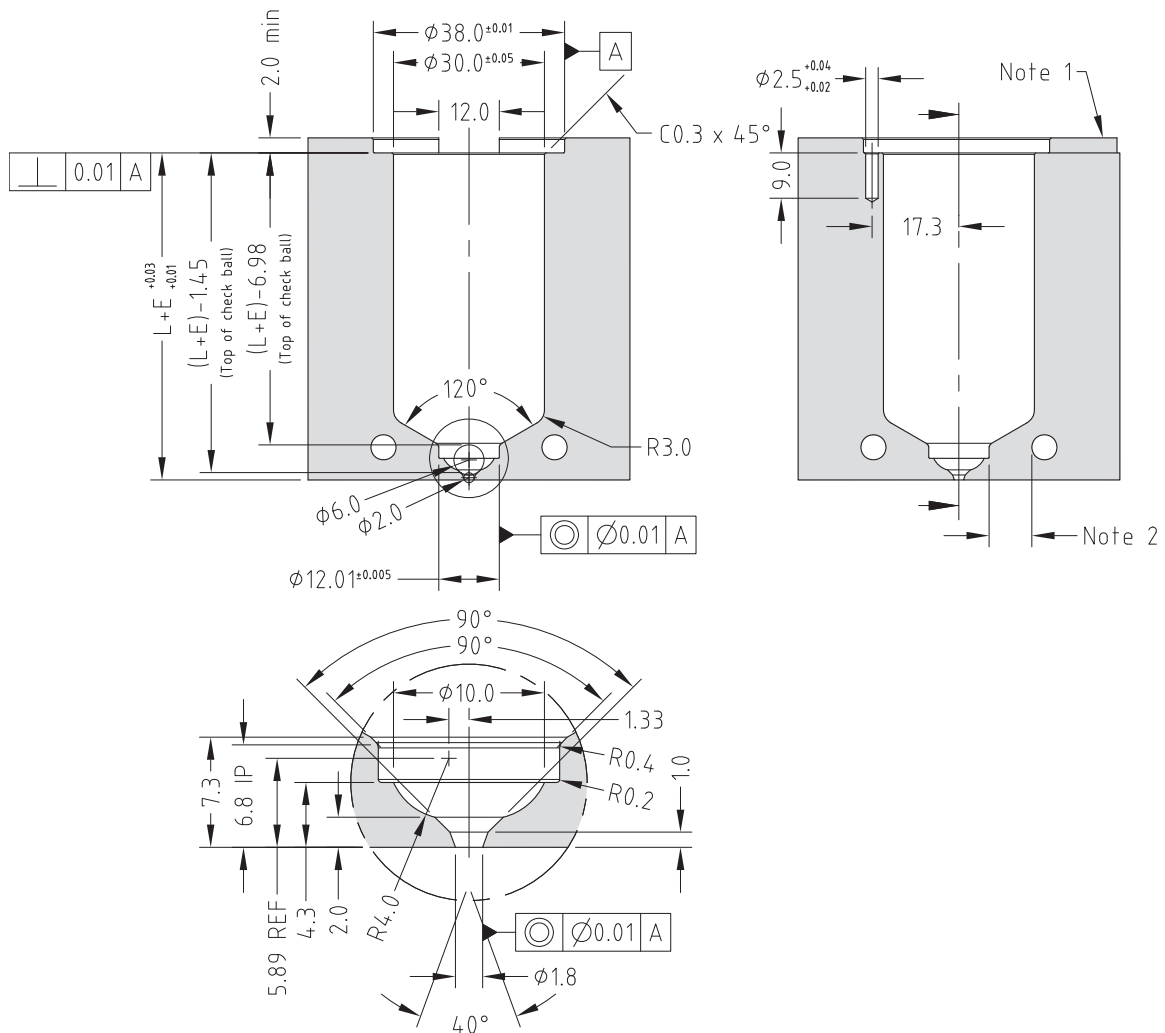
## Valve Gate Actuator

Order Code	Actuation Type	Pin Size	Stroke
MVCH2510-2.5	Hydraulic	2.5	10
MVG40-2.5x250	Pneumatic	2.5	10

One Valve Gate assembly is required per nozzle

## Nozzle Fitment and Gate Dimensions

$$E = L \times 0.0000132 \times (\text{nozzle temp. } ^{\circ}\text{C} - \text{mould temp. } ^{\circ}\text{C})$$



## Note

- Wire channel to suit mould.
- Gate cooling is critical for correct operation and gate quality. → See Cooling section in Technical Specifications.

\* Minimum strength ( $\sigma_y$ ) of nozzle plate 800MPa.

## Tip and Material Grade Availability

Tip (Code)	G1	G2	G5
Multi-hole Torpedo Tip (X 16 TV)	✓	×	×
One-hole Torpedo Tip	×	×	×
Open Tip (X 16 OV)	✓	×	×

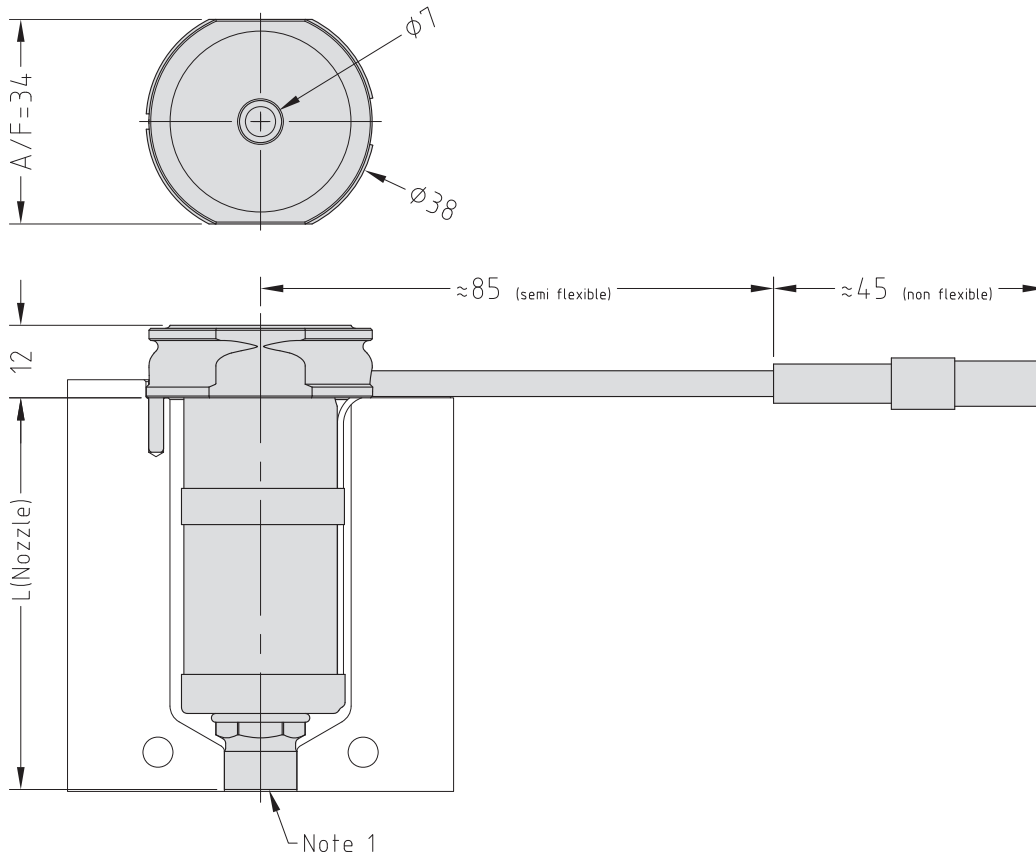
**To order a nozzle assembly:**

Provide the Nozzle Code + Grade  
(Order example: BXOVBE16175 G1)

**To order a tip:**

Provide the Tip Code + Grade  
(Order example: X 16 OV G1)

## Nozzle Dimensions

**Note**

1. Modify the contact area to suit the application.

→ See Gate Modifications and Cooling sections in the Technical Specifications.

\* Pins are supplied  $\phi 2.5 \times 250$  and must be cut to required length and taper added by mould maker at time of installation



## Order Code &amp; Expansion

Multi-hole Torpedo Tip Nozzle Code	Open Tip Nozzle Code	L	$E \Delta T$ =200°C	$E \Delta T$ =250°C
BXTVBE16045	BXOVBE16045	45	0.12	0.15
BXTVBE16055	BXOVBE16055	55	0.15	0.18
BXTVBE16065	BXOVBE16065	65	0.17	0.21
BXTVBE16075	BXOVBE16075	75	0.20	0.25
BXTVBE16095	BXOVBE16095	95	0.25	0.31
BXTVBE16115	BXOVBE16115	115	0.30	0.38
BXTVBE16145	BXOVBE16145	145	0.38	0.48

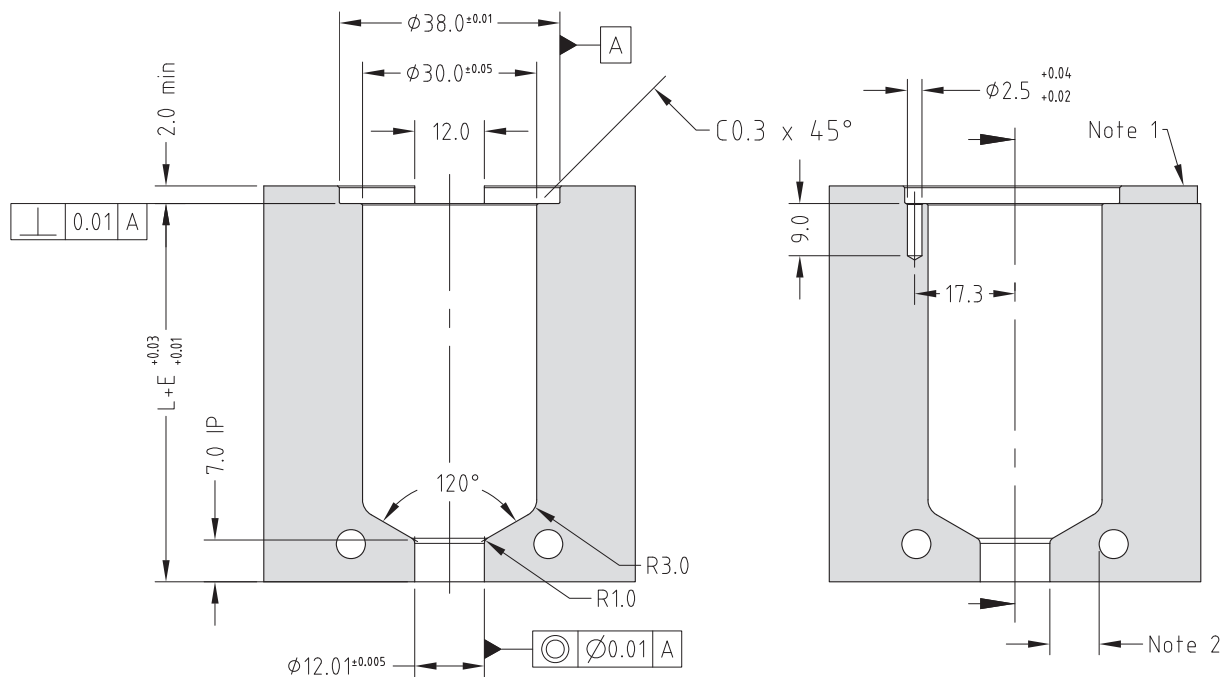
## Valve Gate Actuator

Order Code	Actuation Type	Pin Size	Stroke
MVCH2510-2.5	Hydraulic	2.5	10
MVG40-2.5x250	Pneumatic	2.5	10

One Valve Gate assembly is required per nozzle

## Nozzle Fitment and Gate Dimensions

$$E = L \times 0.0000132 \times (\text{nozzle temp. } ^\circ\text{C} - \text{mould temp. } ^\circ\text{C})$$



## Note

1. Wire channel to suit mould.
2. Gate cooling is critical for correct operation and gate quality. → See Cooling section in Technical Specifications.

\* Minimum strength ( $\sigma_y$ ) of nozzle plate 800MPa.

## Tip and Material Grade Availability

Tip (Code)	G1	G2	G5
Multi-hole Torpedo Tip (X 16 TV)	✓	×	×
One-hole Torpedo Tip	×	×	×
Open Tip (X 16 OV)	✓	×	×

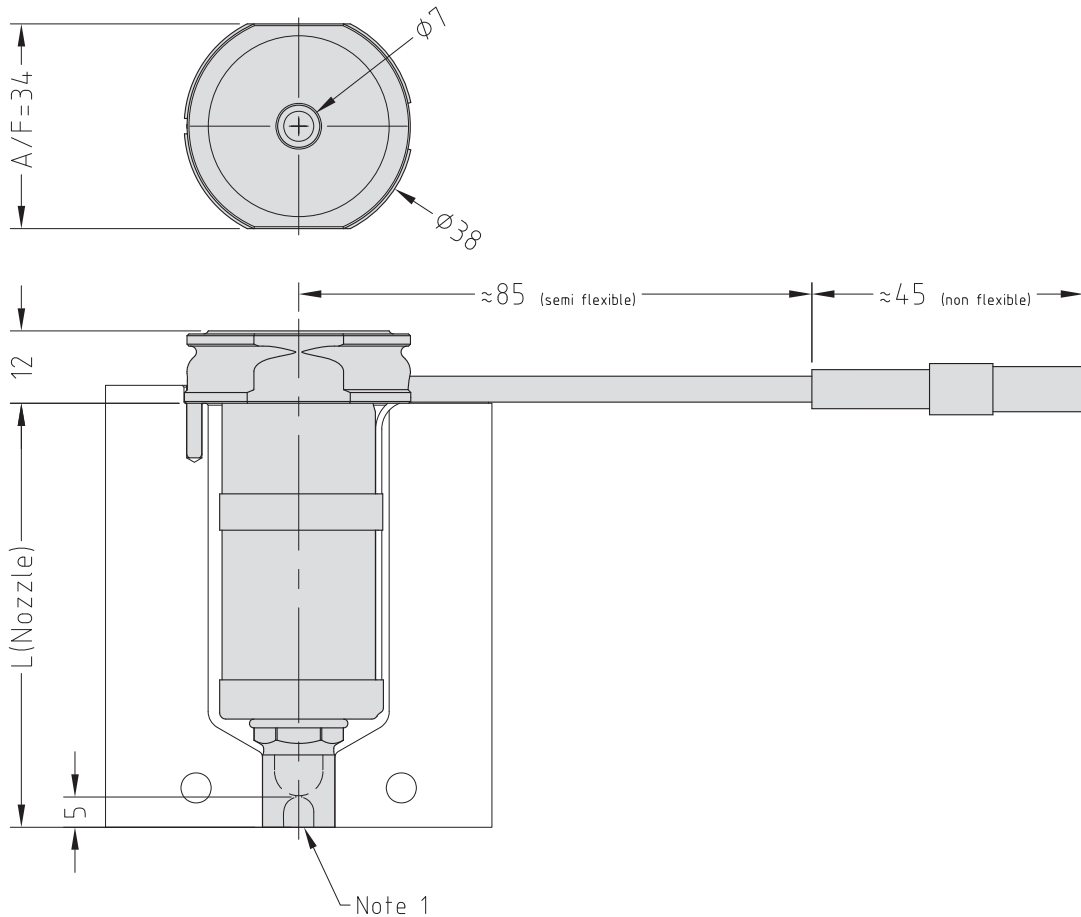
**To order a nozzle assembly:**

Provide the Nozzle Code + Grade  
(Order example: BXOVSN16175 G1)

**To order a tip:**

Provide the Tip Code + Grade  
(Order example: X 16 OV G1)

## Nozzle Dimensions

**Note**

1. Modify the contact area and the sprue nut to suit the application.

→ See Gate Modifications and Cooling sections in the Technical Specifications.

\* Pins are supplied  $\phi 2.5 \times 250$  and must be cut to required length and taper added by mould maker at time of installation

## Order Code &amp; Expansion

Multi-Hole Torpedo Nozzle Code	Open Tip Nozzle Code	L	$E\Delta T$ =200C	$E\Delta T$ =250C
BXTVSN16045	BXOVSN16045	50	0.13	0.17
BXTVSN16055	BXOVSN16055	60	0.16	0.20
BXTVSN16065	BXOVSN16065	70	0.19	0.23
BXTVSN16075	BXOVSN16075	80	0.21	0.26
BXTVSN16095	BXOVSN16095	100	0.26	0.33
BXTVSN16115	BXOVSN16115	120	0.32	0.40
BXTVSN16145	BXOVSN16145	150	0.40	0.50

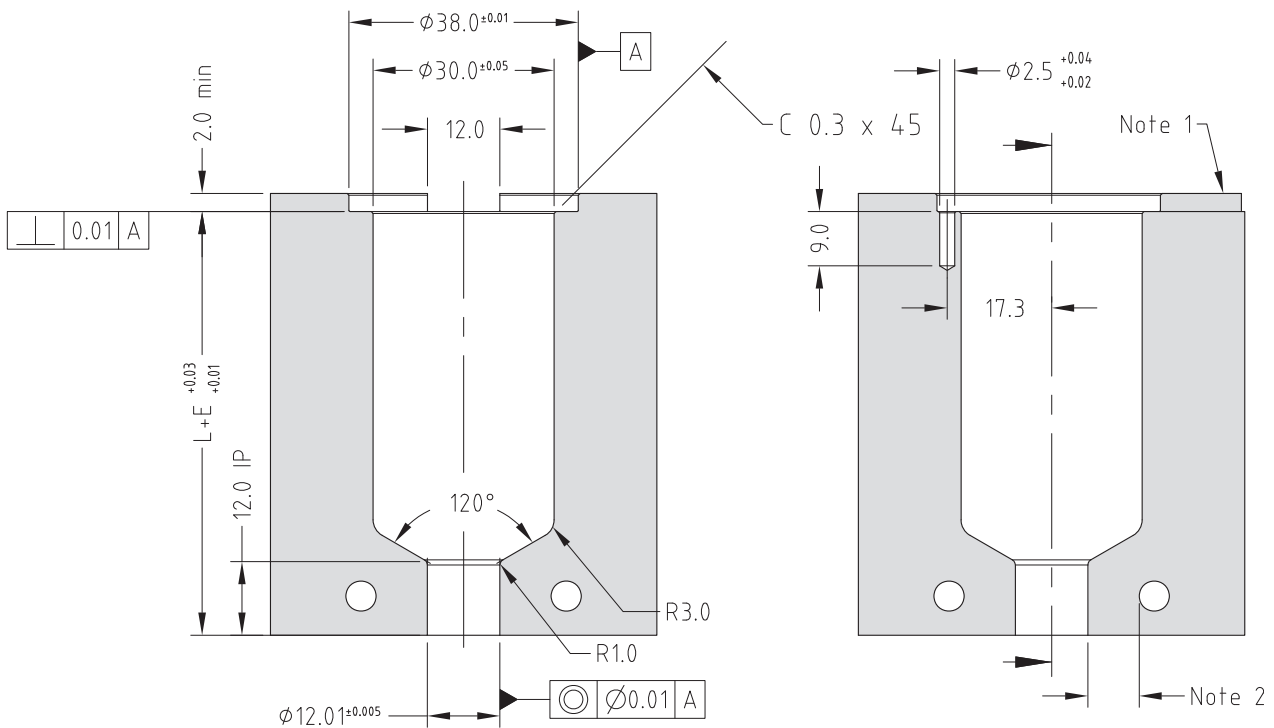
## Valve Gate Actuator

Order Code	Actuation Type	Pin Size	Stroke
MVCH2510-2.5	Hydraulic	2.5	10
MVG40-2.5x250	Pneumatic	2.5	10

One Valve Gate assembly is required per nozzle

## Nozzle Fitment and Gate Dimensions

$$E = L \times 0.000132 \times (\text{nozzle temp. } ^\circ\text{C} - \text{mould temp. } ^\circ\text{C})$$



## Note

1. Wire channel to suit mould.
2. Gate cooling is critical for correct operation and gate quality. → See Cooling section in Technical Specifications.

\* Minimum strength ( $\sigma_y$ ) of nozzle plate 800MPa.

# BXTG19

Tip and Material Grade Availability

Tip (Code)	G1	G2	G5
Multi-hole Torpedo Tip (X 19 TV)	✓	✗	✗
One-hole Torpedo Tip	✗	✗	✗
Open Tip (X 19 OV)	✓	✗	✓

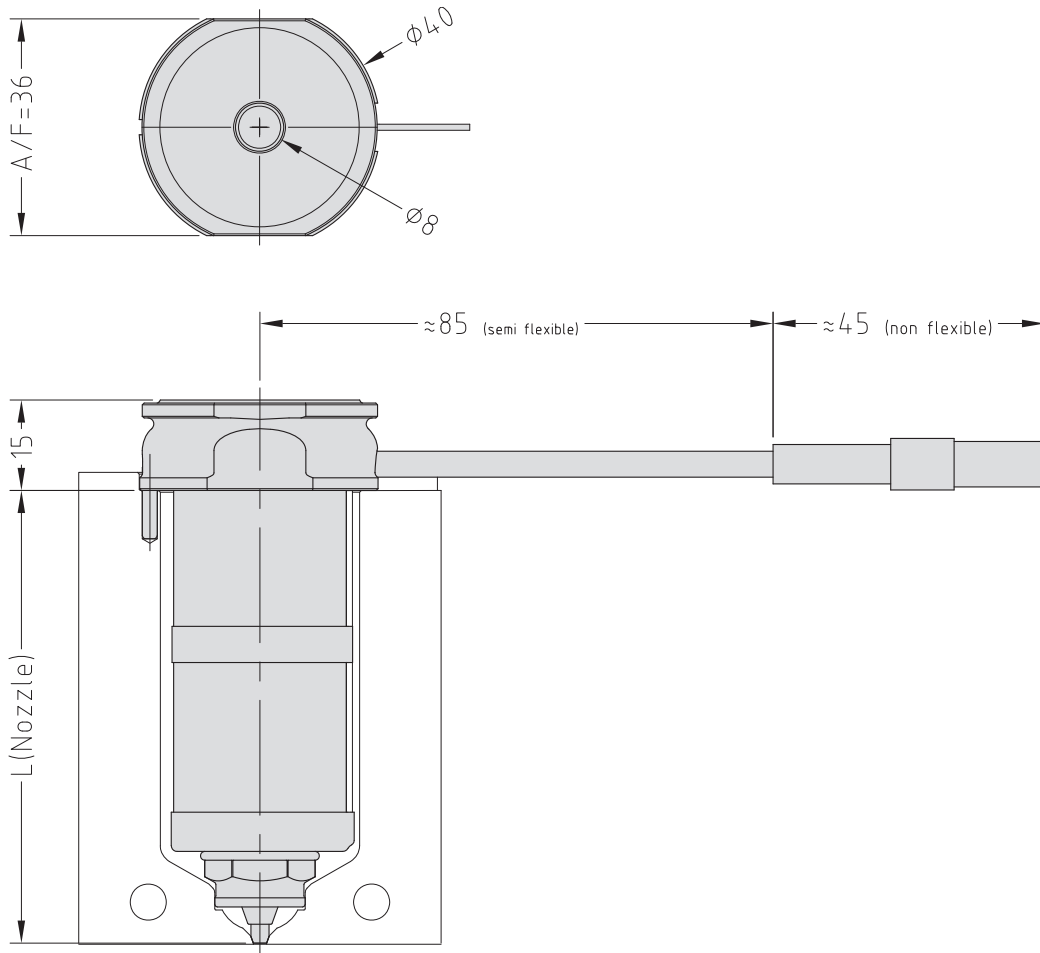
To order a nozzle assembly:

Provide the Nozzle Code + Grade  
(Order example: BXTV19175 G1)

To order a tip:

Provide the Tip Code + Grade  
(Order example: X 19 TV G1)

Nozzle Dimensions



Note

\* Pins are supplied Ø3.0 x 250 and must be cut to required length and taper added by mould maker at time of installation.



## Tip and Material Grade Availability

Tip (Code)	G1	G2	G5
Multi-hole Torpedo Tip (X 19 TV)	✓	×	×
One-hole Torpedo Tip	×	×	×
Open Tip (X 19 OV)	✓	×	✓

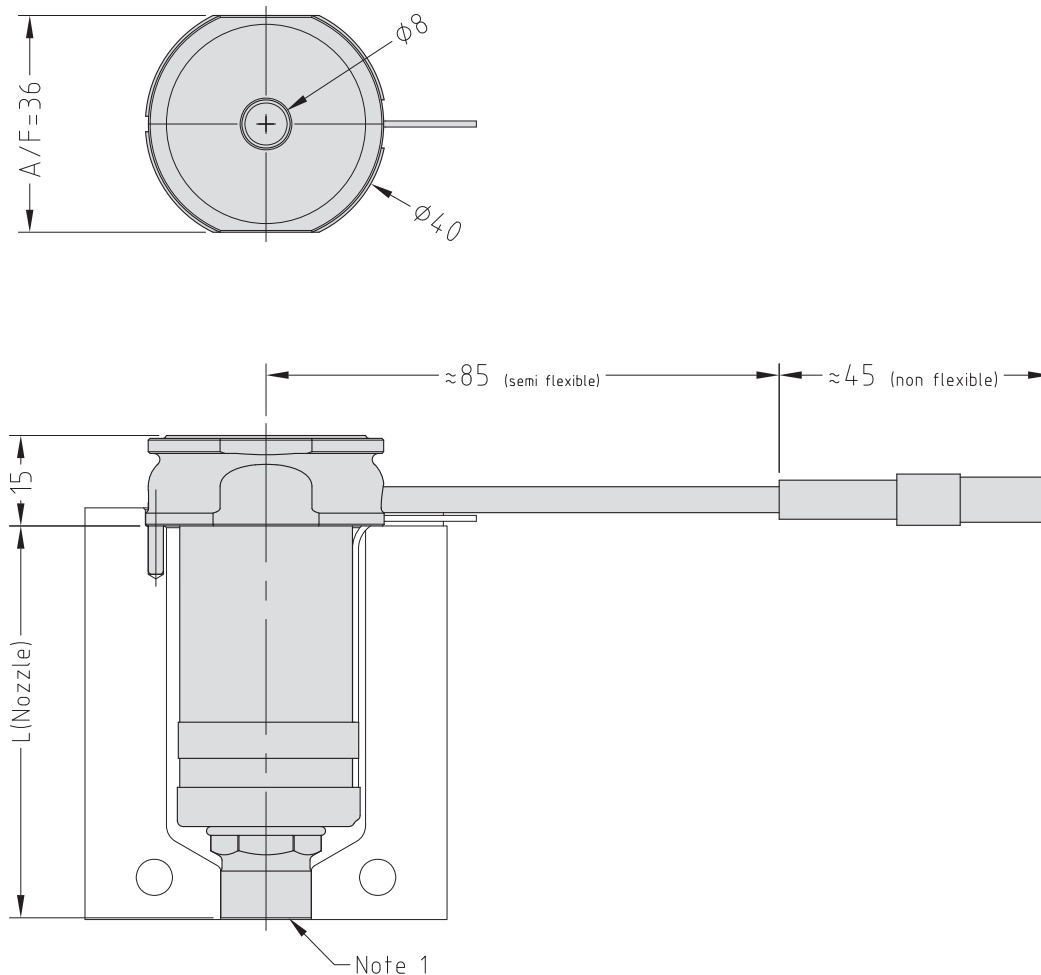
**To order a nozzle assembly:**

Provide the Nozzle Code + Grade  
(Order example: BXOVBE19175 G1)

**To order a tip:**

Provide the Tip Code + Grade  
(Order example: X 19 OV G1)

## Nozzle Dimensions

**Note**

1. Modify the contact area to suit the application.

→ See Gate Modifications and Cooling sections in the Technical Specifications.

\* Pins are supplied  $\varnothing 3.0 \times 250$  and must be cut to required length and taper added by mould maker at time of installation.





## Tip and Material Grade Availability

Tip (Code)	G1	G2	G5
Multi-hole Torpedo Tip (X 19 TV)	✓	×	×
One-hole Torpedo Tip	×	×	×
Open Tip (X 19 OV)	✓	×	✓

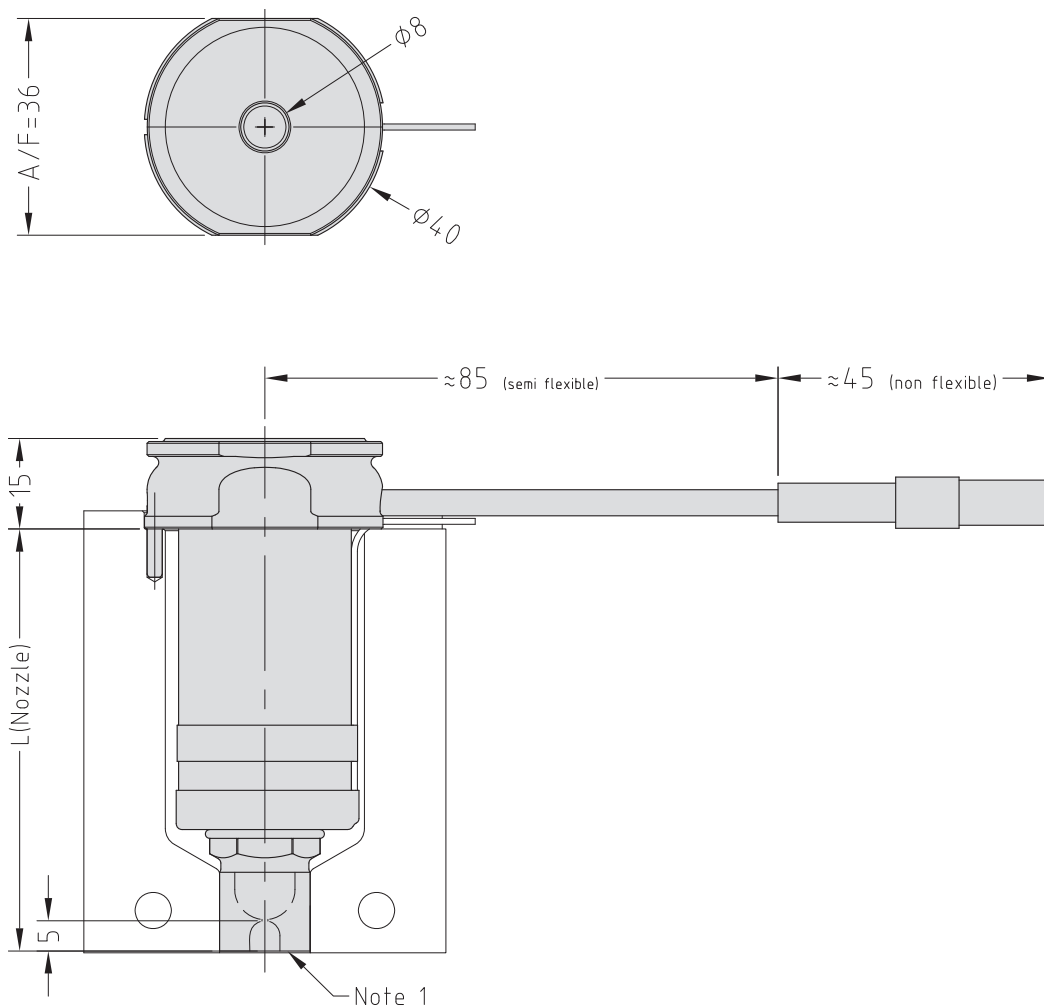
**To order a nozzle assembly:**

Provide the Nozzle Code + Grade  
(Order example: BXOVSN19175 G1)

**To order a tip:**

Provide the Tip Code + Grade  
(Order example: X 19 OV G1)

## Nozzle Dimensions

**Note**

1. Modify the contact area and the sprue nut to suit the application.

→ See Gate Modifications and Cooling sections in the Technical Specifications.

\* Pins are supplied  $\varnothing 3.0 \times 250$  and must be cut to required length and taper added by mould maker at time of installation.

## Order Code &amp; Expansion

Multi-Hole Torpedo Nozzle Code	Open Tip Nozzle Code	L	E@ΔT =200C	E@ΔT =250C
BXTVSN19055	BX0VSN19055	60	0.16	0.20
BXTVSN19065	BX0VSN19065	70	0.19	0.23
BXTVSN19075	BX0VSN19075	80	0.21	0.26
BXTVSN19095	BX0VSN19095	100	0.26	0.33
BXTVSN19115	BX0VSN19115	120	0.32	0.40
BXTVSN19145	BX0VSN19145	150	0.40	0.50

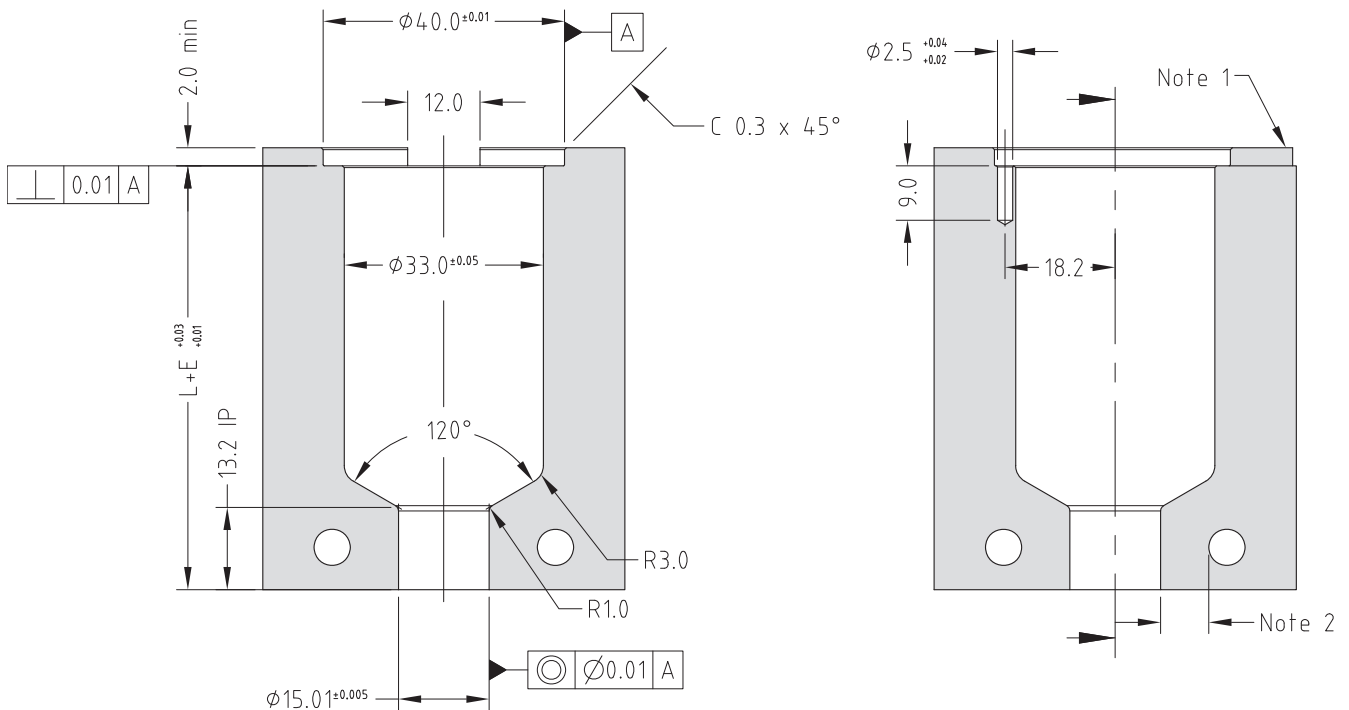
## Valve Gate Actuator

Order Code	Actuation Type	Pin Size	Stroke
MVCH2510-3.0	Hydraulic	3	10
MVG40-3.0x250	Pneumatic	3	10

One Valve Gate assembly is required per nozzle

## Nozzle Fitment and Gate Dimensions

$$E = L \times 0.0000132 \times (\text{nozzle temp. } ^\circ\text{C} - \text{mould temp. } ^\circ\text{C})$$



## Note

1. Wire channel to suit mould.
2. Gate cooling is critical for correct operation and gate quality. → See Cooling section in Technical Specifications.

\* Minimum strength ( $\sigma_y$ ) of nozzle plate 800MPa.

# **BXVG27**

Tip and Material Grade Availability

Tip (Code)	G1	G4	G5
Multi-hole Torpedo Tip (X 27 TV)	✓	✗	✗
One-hole Torpedo Tip	✗	✗	✗
Open Tip (X 27 OV)	✓	✗	✓

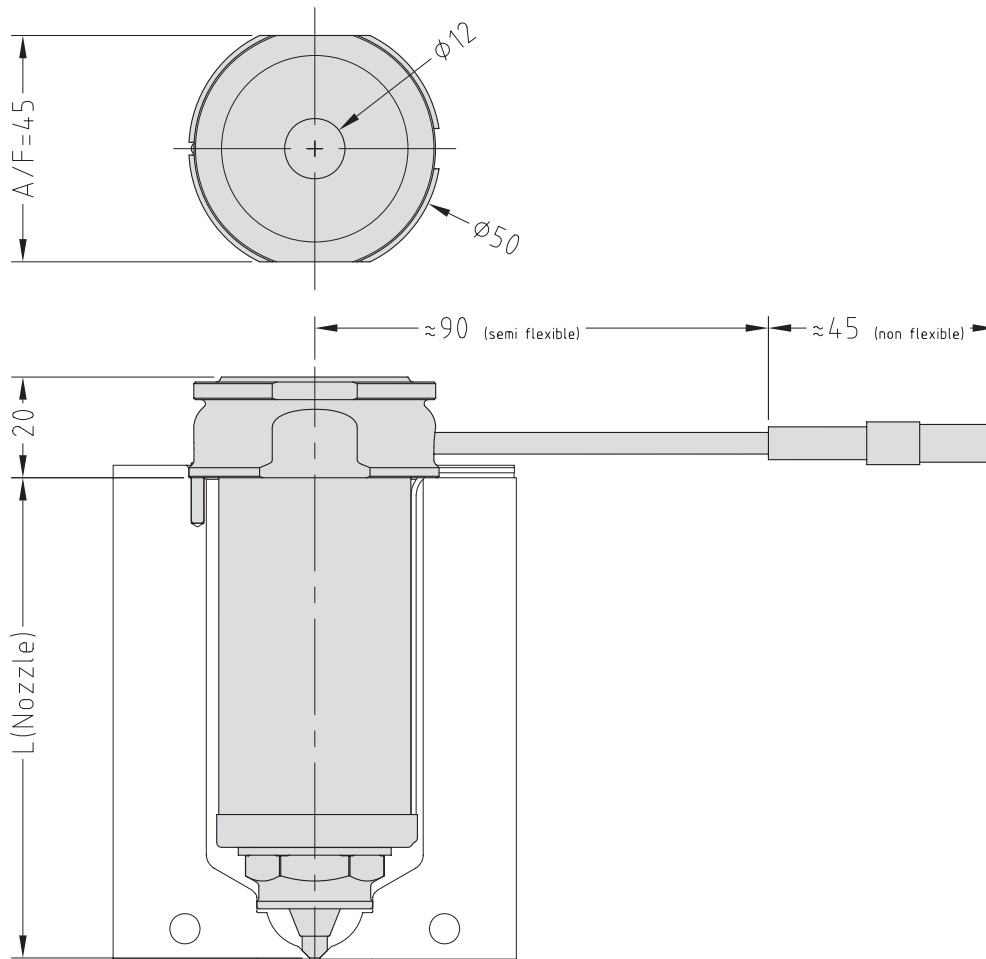
**To order a nozzle assembly:**

Provide the Nozzle Code + Grade  
(Order example: BXTV27175 G1)

**To order a tip:**

provide the Tip Code + Grade  
(Order example: X 27 TV G1)

Nozzle Dimensions



Note

\* Pins are supplied Ø5.0 x 350 and must be cut to required length and taper added by mould maker at time of installation

Order Code & Expansion

Multi-hole Torpedo Tip Nozzle Code	Open Tip Nozzle Code	L	E@ΔT =200°C	E@ΔT =250°C
BXTV27075	BXOV27075	75	0.20	0.25
BXTV27095	BXOV27095	95	0.25	0.31
BXTV27115	BXOV27115	115	0.30	0.38
BXTV27145	BXOV27145	145	0.38	0.48
BXTV27175	BXOV27175	175	0.46	0.58
BXTV27225	BXOV27225	225	0.59	0.74

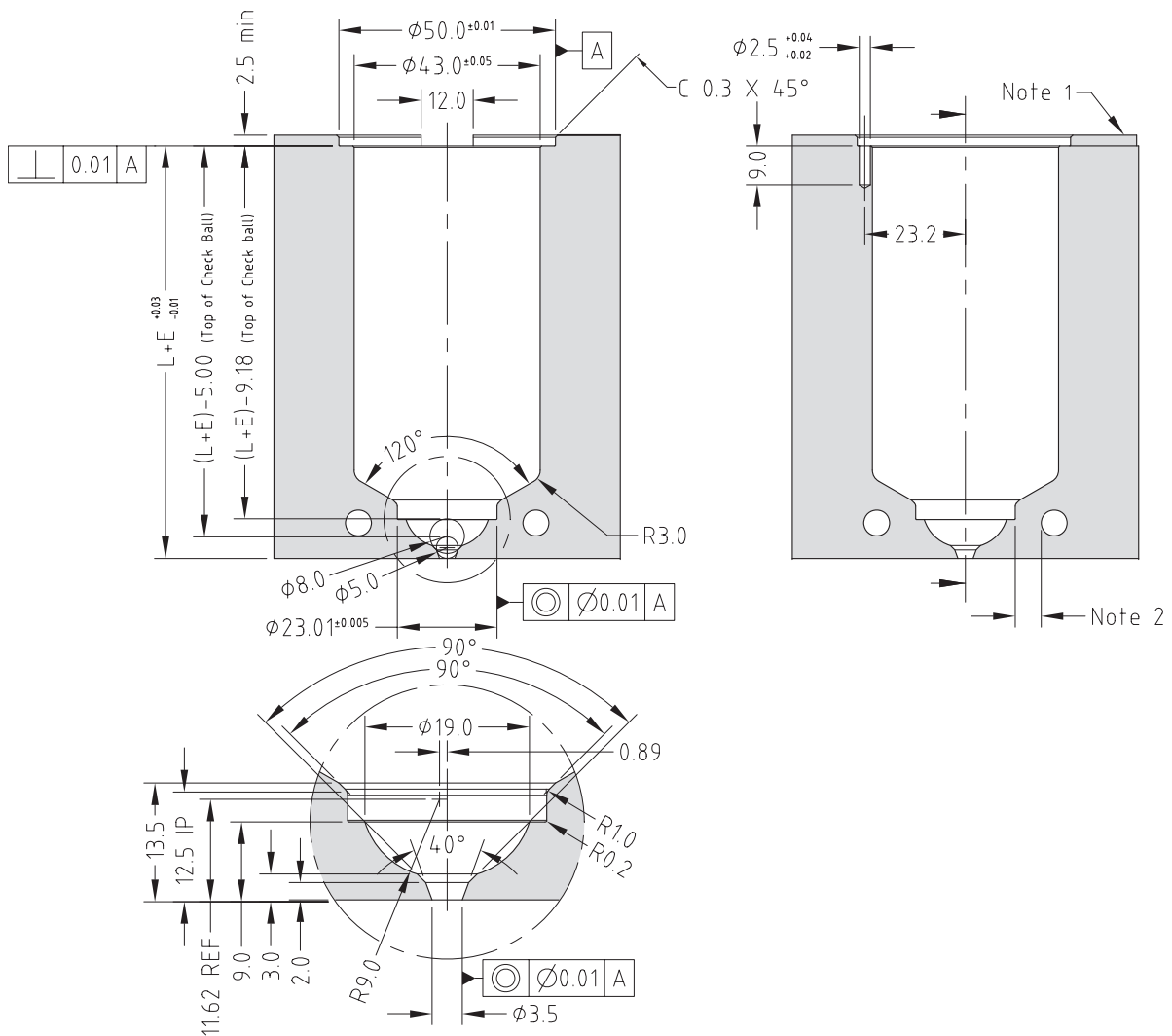
Valve Gate Actuator

Order Code	Actuation Type	Pin Size	Stroke
MVCH2510-5	Hydraulic	5	10
MVG40-5.0 x 350	Pneumatic	5	10

One Valve Gate assembly is required per nozzle

Nozzle Fitment and Gate Dimensions

$$E = L \times 0.0000132 \times (\text{nozzle temp. } ^\circ\text{C} - \text{mould temp. } ^\circ\text{C})$$



Note

1. Wire channel to suit mould.
  2. Gate cooling is critical for correct operation and gate quality. → See Cooling section in Technical Specifications.
- \* Minimum strength ( $\sigma_y$ ) of nozzle plate 800MPa.

## Tip and Material Grade Availability

Tip (Code)	G1	G4	G5
Multi-hole Torpedo Tip (X 27 TV)	✓	×	×
One-hole Torpedo Tip	×	×	×
Open Tip (X 27 OV)	✓	×	✓

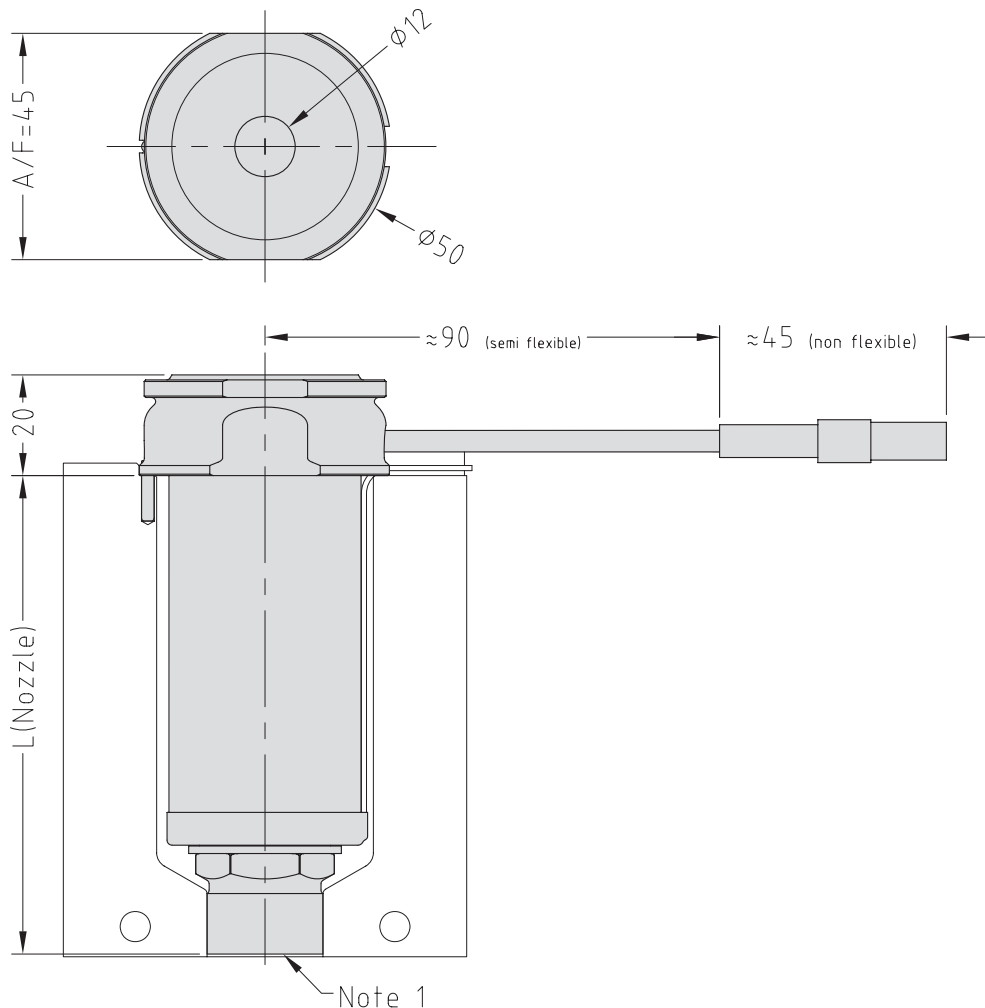
**To order a nozzle assembly:**

Provide the Nozzle Code + Grade  
(Order example: BXOVBE27175 G1)

**To order a tip:**

Provide the Tip Code + Grade  
(Order example: X 27 OV G1)

## Nozzle Dimensions

**Note**

1. Modify the contact area to suit the application.

→ See Gate Modifications and Cooling sections in the Technical Specifications.

\* Pins are supplied  $\phi 5.0 \times 350$  and must be cut to required length and taper added by mould maker at time of installation.

## Order Code &amp; Expansion

Multi-hole Torpedo Tip Nozzle Code	Open Tip Nozzle Code	L	$E\alpha\Delta T$ =200°C	$E\alpha\Delta T$ =250°C
BXTVBE27075	BXOVBE27075	75	0.20	0.25
BXTVBE27095	BXOVBE27095	95	0.25	0.31
BXTVBE27115	BXOVBE27115	115	0.30	0.38
BXTVBE27145	BXOVBE27145	145	0.38	0.48
BXTVBE27175	BXOVBE27175	175	0.46	0.58
BXTVBE27225	BXOVBE27225	225	0.59	0.74

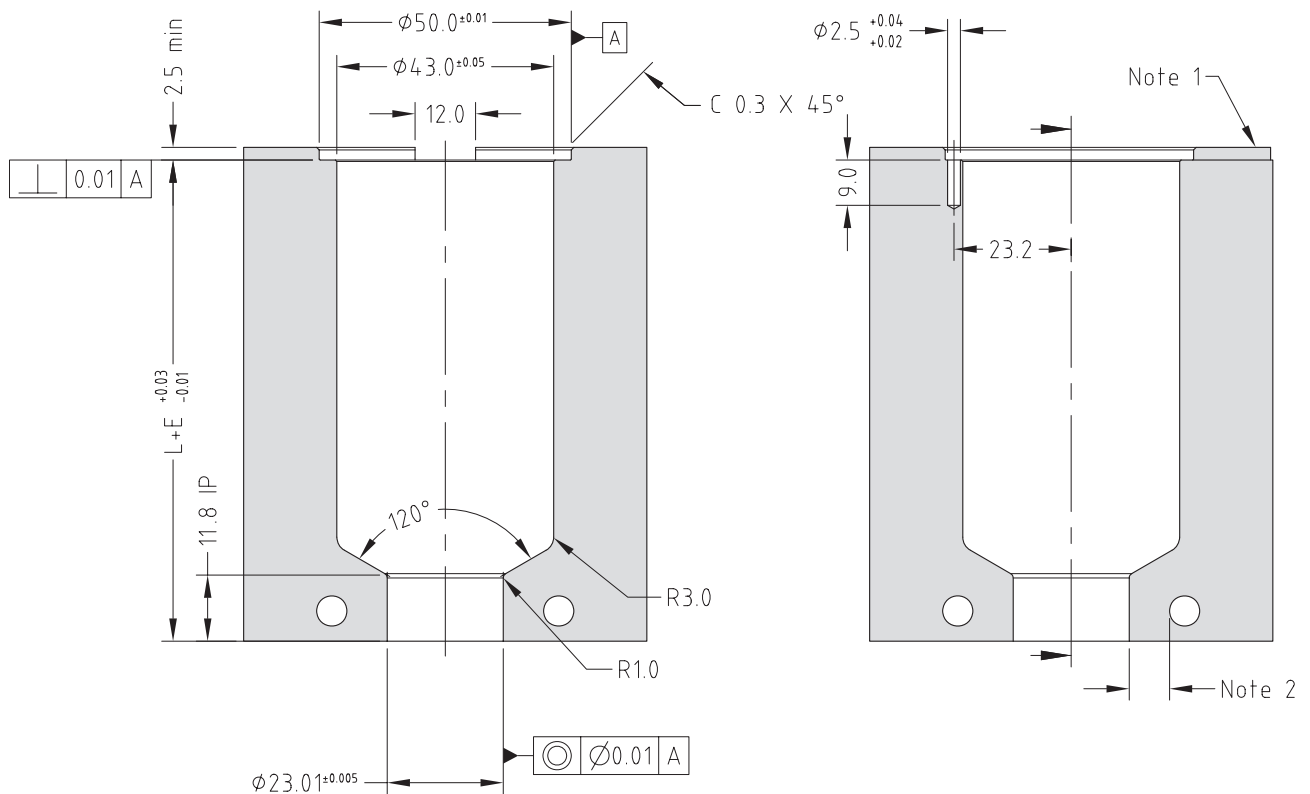
## Valve Gate Actuator

Order Code	Actuation Type	Pin Size	Stroke
MVCH2510-5	Hydraulic	5	10
MVG40-5.0 x 350	Pneumatic	5	10

One Valve Gate assembly is required per nozzle

## Nozzle Fitment and Gate Dimensions

$$E = L \times 0.0000132 \times (\text{nozzle temp. } ^\circ\text{C} - \text{mould temp. } ^\circ\text{C})$$



## Note

1. Wire channel to suit mould.
  2. Gate cooling is critical for correct operation and gate quality. → See Cooling section in Technical Specifications.
- \* Minimum strength ( $\sigma_y$ ) of nozzle plate 800MPa.

## Tip and Material Grade Availability

Tip (Code)	G1	G4	G5
Multi-hole Torpedo Tip (X 27 TV)	✓	×	×
One-hole Torpedo Tip	×	×	×
Open Tip (X 27 OV)	✓	×	✓

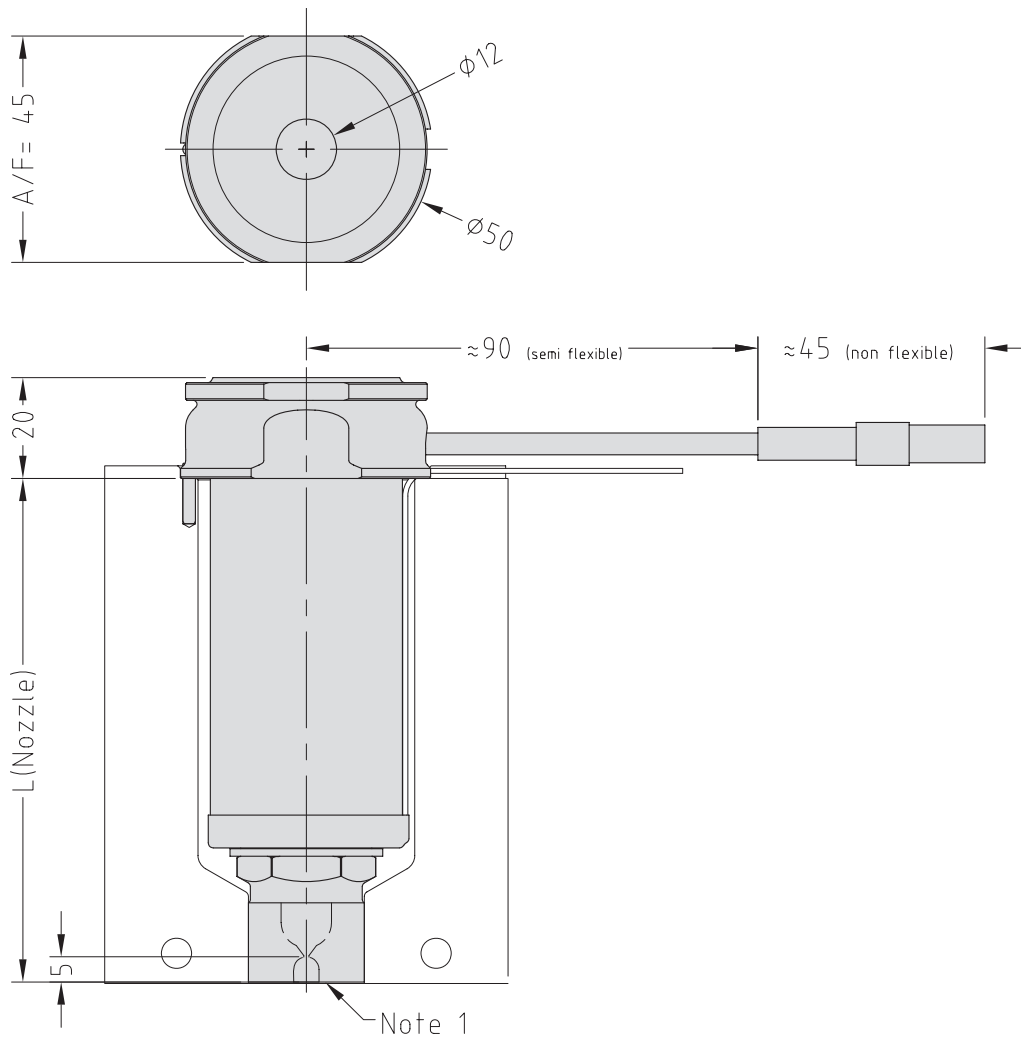
**To order a nozzle assembly:**

Provide the Nozzle Code + Grade  
(Order example: BXOVSN27175 G1)

**To order a tip:**

Provide the Tip Code + Grade  
(Order example: X 27 OV G1)

## Nozzle Dimensions

**Note**

1. Modify the contact area and the sprue nut to suit the application.

→ See Gate Modifications and Cooling sections in the Technical Specifications.

\* Pins are supplied  $\phi 5.0 \times 350$  and must be cut to required length and taper added by mould maker at time of installation.



## Order Code &amp; Expansion

Multi-Hole Torpedo Tip Nozzle Code	Open Tip Nozzle Code	L	$E/\Delta T = 200C$	$E/\Delta T = 250C$
BXTVSN27075	BXOVSN27075	80	0.21	0.26
BXTVSN27095	BXOVSN27095	100	0.26	0.33
BXTVSN27115	BXOVSN27115	120	0.32	0.40
BXTVSN27145	BXOVSN27145	150	0.40	0.50
BXTVSN27175	BXOVSN27175	180	0.48	0.59
BXTVSN27225	BXOVSN27225	230	0.61	0.76

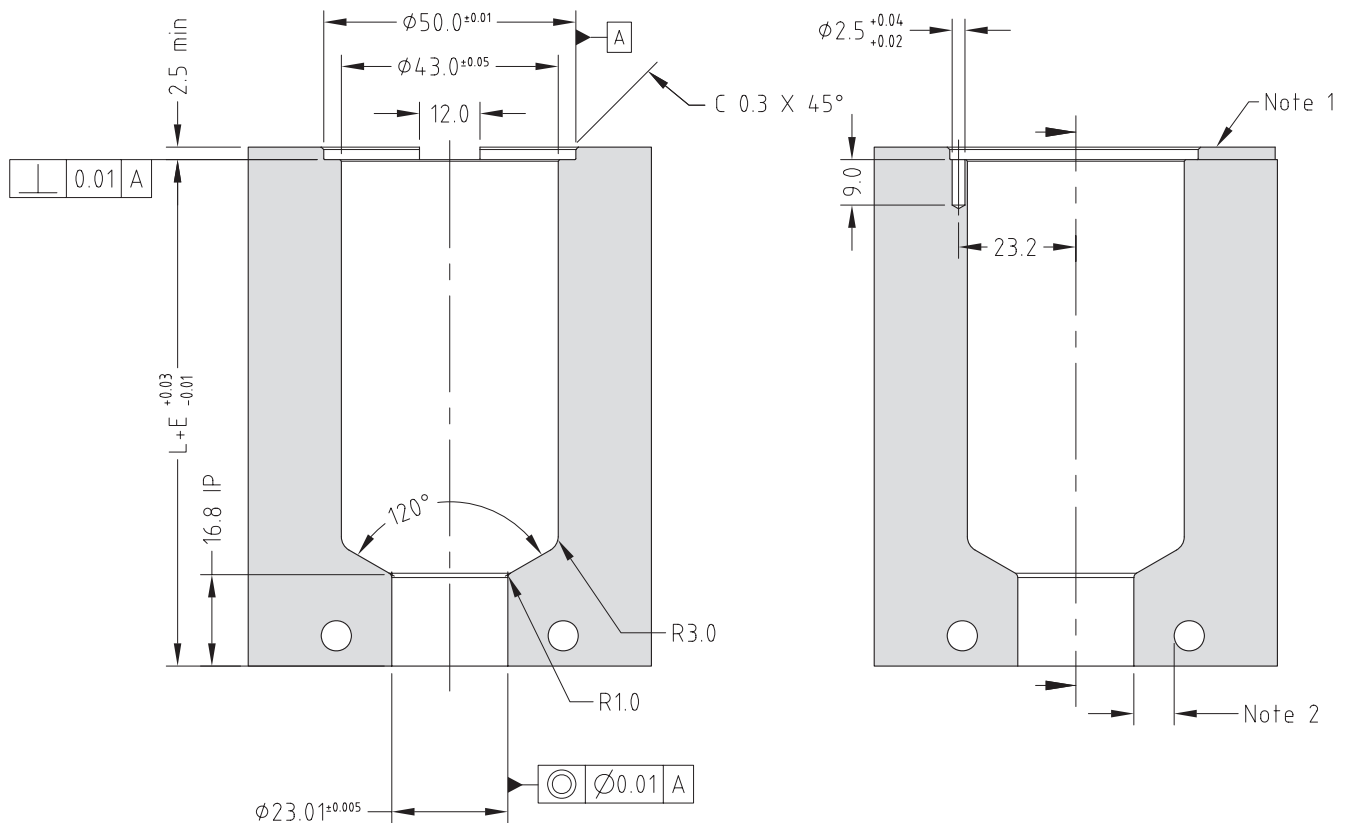
## Valve Gate Actuator

Order Code	Actuation Type	Pin Size	Stroke
MVCH2510-5	Hydraulic	5	10
MVG40-5.0 x 350	Pneumatic	5	10

One Valve Gate assembly is required per nozzle

## Nozzle Fitment and Gate Dimensions

$$E = L \times 0.0000132 \times (\text{nozzle temp. } ^\circ\text{C} - \text{mould temp. } ^\circ\text{C})$$



## Note

1. Wire channel to suit mould.
  2. Gate cooling is critical for correct operation and gate quality. → See Cooling section in Technical Specifications.
- \* Minimum strength ( $\sigma_y$ ) of nozzle plate 800MPa.



**Mastip Head Office New Zealand**

**Physical Address**

558 Rosebank Road, Avondale  
Auckland 1026, New Zealand

**Postal Address**

PO Box 90651, Victoria St West  
Auckland 1142, New Zealand

Phone: +64 9 970 2100  
Email: [mastip@mastip.com](mailto:mastip@mastip.com)

**Mastip Regional Office Europe**

Phone: +33 0 809 400 076  
Email: [europe@mastip.com](mailto:europe@mastip.com)

**Mastip Regional Office North America**

Phone: +1 262 644 9400  
Email: [northamerica@mastip.com](mailto:northamerica@mastip.com)

**Mastip Regional Office China**

Email: [china@mastip.com](mailto:china@mastip.com)

For a full list of Distributors,  
please visit [www.mastip.com](http://www.mastip.com)